

Rev.	Sym.	Q'TY	ICN/ECN NO	Changed by	Date
V1.0			the first release		

COMPANY CONFIDENTIAL

A

A

B

B

C

C

D

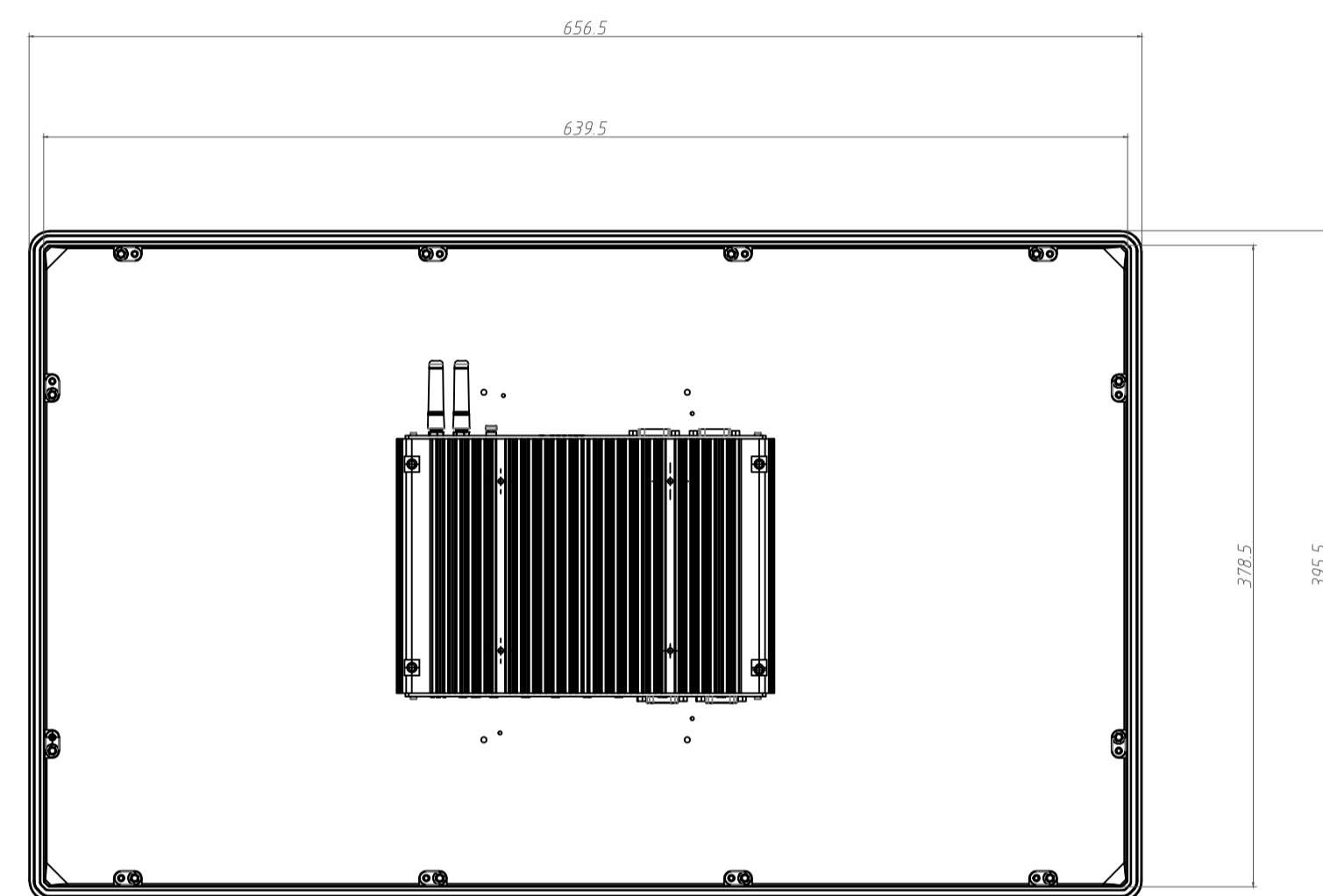
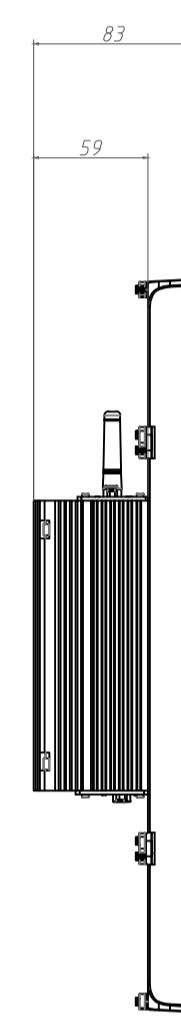
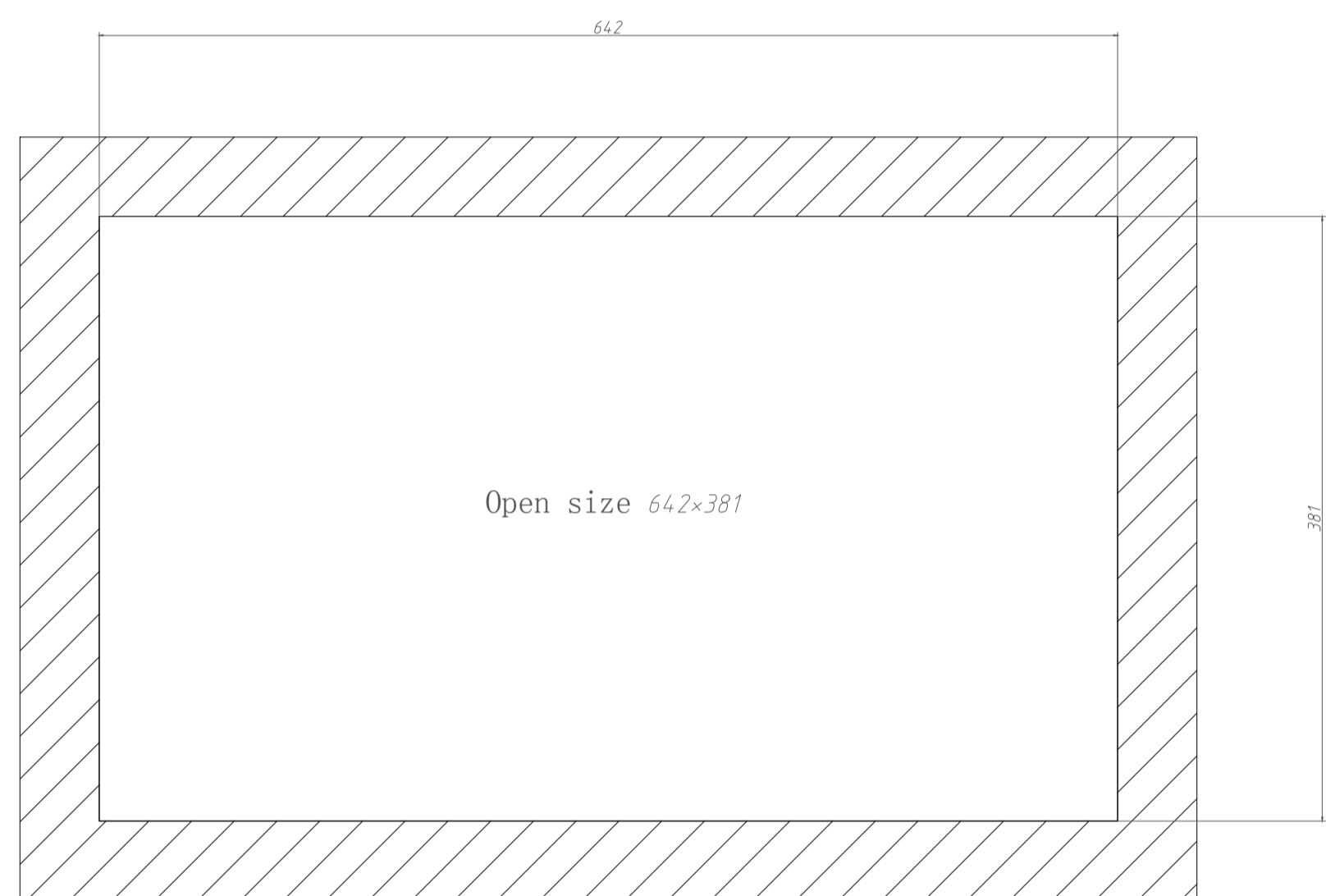
D

E

E

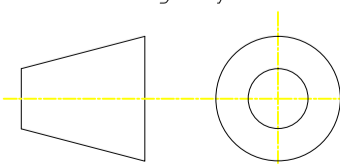
F

F



**PANELMATE**  
Creative HMI Solution

First angle system



Project Name :

Part Name

Part No

Design

Check

Approve

Material

Process

See Notes

See Notes

Size:

Unit: mm

Scale: 1:1

Sheet: 1 of 1

1

2

3

4

5

6

7

8